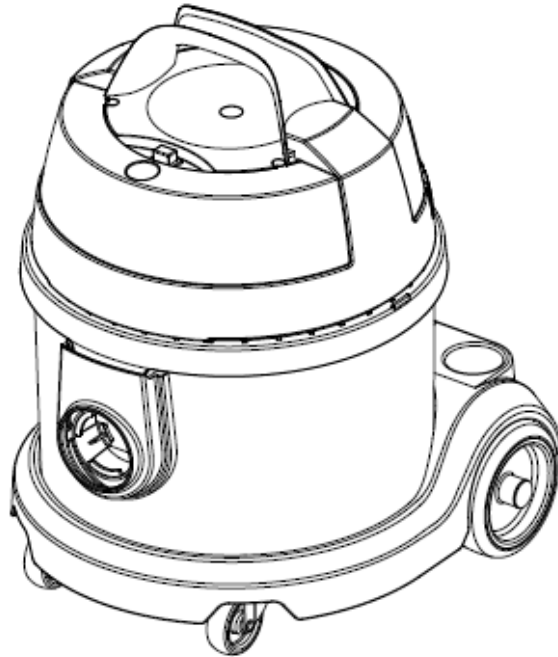


Sprint TV-1 professional vacuum cleaner – User Manual



Killis Limited
1A Orgreave Road
Dore House Industrial Estate
Handsworth
Sheffield
S13 9LQ

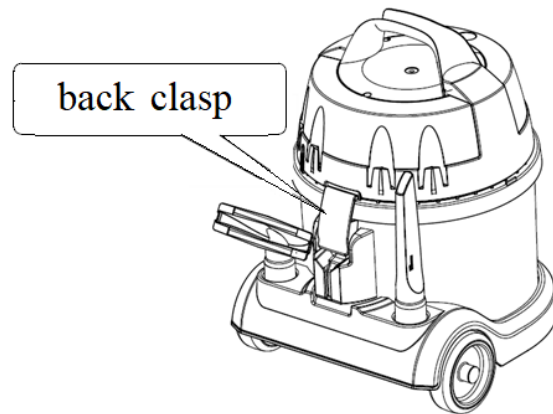
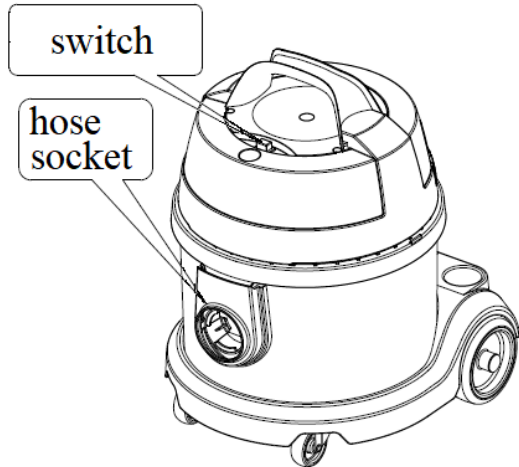


Innovators in Cleaning Equipment

Instructions

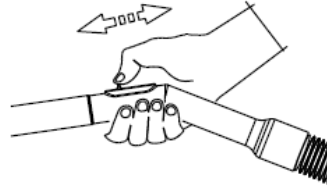
- Before maintenance and cleaning of your vacuum cleaner, always make sure it is unplugged.
- Children of at least 8 years of age, persons of limited physical or mental capability, and persons without the knowledge or experience in using a vacuum cleaner can only use the machine under supervision or after being trained. The same applies to maintenance of the vacuum cleaner.
- Damaged power cord can only be replaced by a professional serviceman/servicewoman.
- Do not switch on the vacuum cleaner if it has visible damages or irregularities.
- Do not vacuum: hot ash, liquids, sharp objects (i.e. glass shards), matches, cigarette butts, hard rubble, stones, sand, cement, flour, etc.
- Regularly change dust bags and inspect the filters for excessive dirtiness or damages. If the suction power is noticeably lower and cleaning the filters does not help, the filters have to be replaced. Using the vacuum cleaner with full bag or dirty/faulty filters might result in permanent damage.
- Do not vacuum if the dust bag is damaged.
- If the suction power of the vacuum cleaner drops noticeably, clean the filters. If the problem remains, replace the filter with a new one.
- Failing to comply to these rules may result in permanent damage of your machine.

Components



Floor tool + nozzles

Suction hose is a basic piece of equipment of a vacuum cleaner. It is flexible, does not get tangled and makes maneuvering the machine easy. The hose handle is fitted with manual suction regulator.

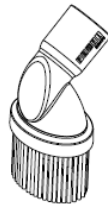


Suction pipes connect the hose and the tools, increase the working range of the vacuum cleaner. The two pipes can be joined by press fitting.

Upholstery nozzle is for cleaning surfaces such as upholstered furniture, window curtains, mattresses, cushions, etc.



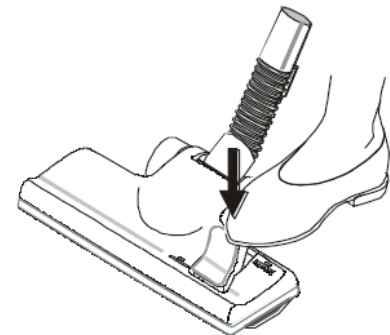
Bristle nozzle is intended for vacuuming uneven surfaces such as picture frames or shelves of books.



Crevice nozzle due to its slim shape, the nozzle enables cleaning areas which are difficult to access such as gaps, corners, recesses, etc.



Floor tool. This versatile accessory enables vacuuming both hard floor and carpeted surfaces. Switching the button on the tool changes its setting from hard floor to carpet and back. The extended bristle setting is perfect for cleaning hard floor surfaces. The nozzle in the carpet mode has its bristle retracted.

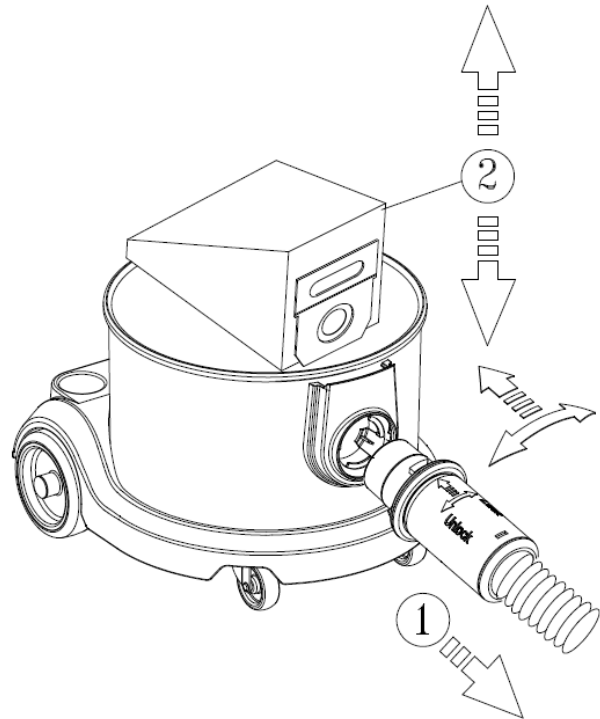


Maintenance

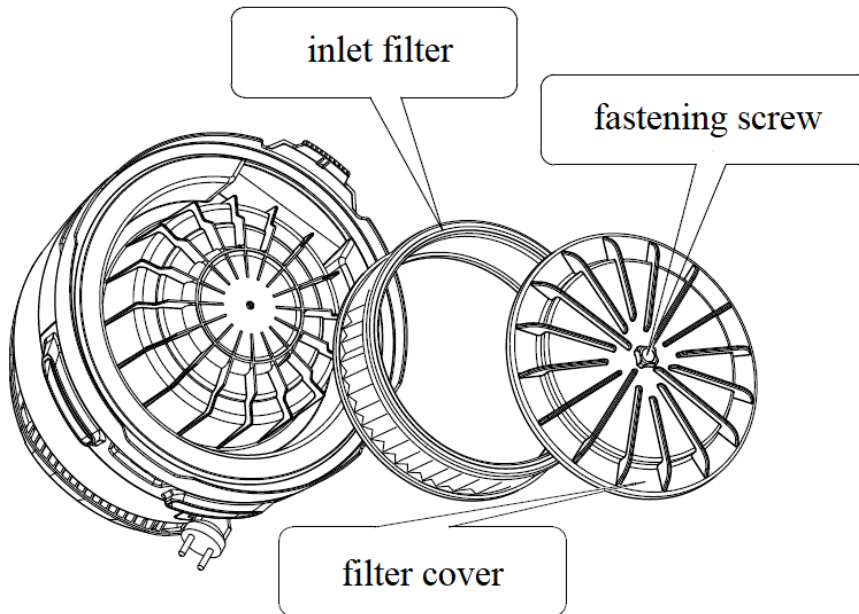
To change the dust bag in your Sprint TV-1 series vacuum cleaner, follow the steps below:

1. Undo the rear clasp and remove the head of your vacuum cleaner.
2. Unlock and remove the suction hose.
3. Pulling on the carton part, remove the full bag, slide in a new one.
4. Attach the hose again, make sure it slides into the bag.
5. Attach the head and fasten the catch.

Make sure you always unplug the vacuum cleaner before any maintenance work, including changing dust bags.



Maintenance



Air inlet filter:

- Remove the vacuum cleaner head.
- Remove the fastening screw.
- Inspect the filter or place a new one.
- Secure the filter with the filter cover and the screw.

Tips

Attaching nozzles and floor tool

On the back of the Sprint TV-1 vacuum cleaner, there are slots for fitting nozzles as well as the float tool, as shown in the picture.

